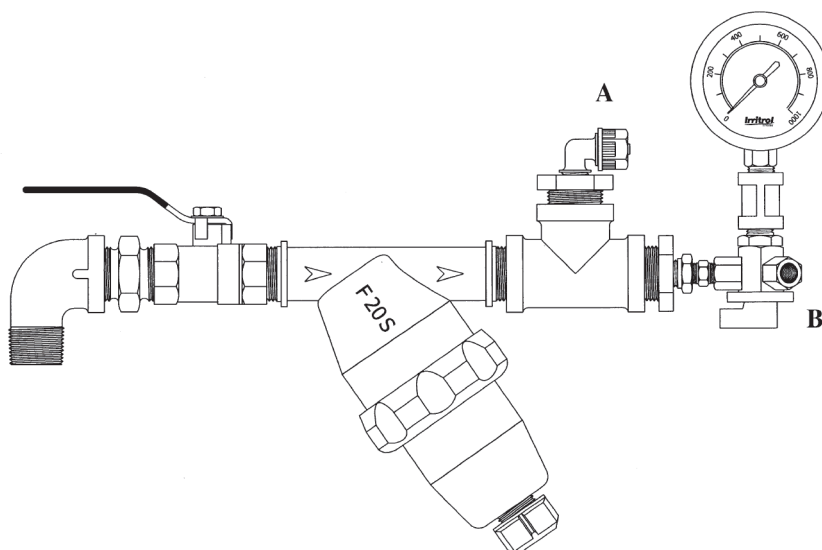


**Hydraulic Charging Head**

**Code: 101HCH**

Used to filter the supply line to hydraulically operated solenoid valves.

- Port A is the high pressure port
- Port B is the low pressure port
- 20mm MBSP inlet elbow
- 0-1000 kPa pressure gauge and 3 way brass valve
- 20mm Plastic screen filter (150mesh)

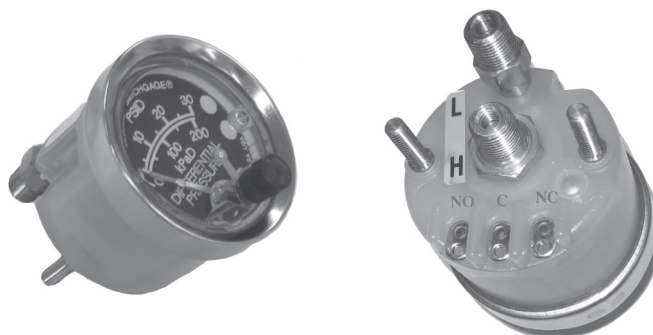


**Pressure Differential Switch**

**Code: A20DPK30-K, A20DPK15-K**

Used to trigger filter flush cycle on a controller.

- Settable Differential range 0 to 200 kPa, 0 to 100 kPa.
- 1/8" NPTM ports
- Normally open or closed switch (user settable)
- Supplied with U shaped mounting bracket, two 1/8" FBSP x 8mm tube connectors

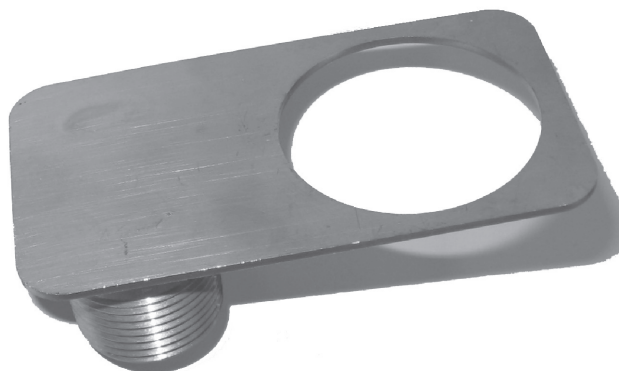


**PD Switch Bracket**

**Code: 101PDBRAC**

For use specifically to mount the PD switch to stainless steel media manifold.

- Manufactured from 2mm thick stainless steel
- 25mm MBSP mounting thread
- 115mm high, 63mm wide



**Filter Flush Controller Bracket**

**Code: 101FFCP**

Designed specifically to mount the 8 station filter flush controller and PD switch onto the stainless steel media manifold.

- Manufactured from 2mm thick stainless steel
- Four pre-drilled holes to suit 101FFC8
- 292mm wide, 259mm high
- 25mm MBSP mounting thread
- Mounting hole to suit Pressure Differential Switch

