

# Irrigation Water Meters - 25 mm to 50 mm Multi-jet

## Application

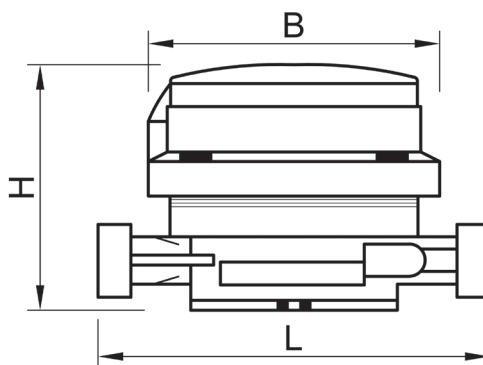
For use in agricultural, commercial turf and landscaping irrigation systems where water usage totals are required.

A factory fitted pulse output enables the water meter to be connected to a suitable irrigation controller to monitor flow rates and the controller to create flow alarms for valve and mainline failure.

Not suitable for Water Authority metering.

## Features

- Conform to OIML R49 Class 2
- Cyclometer is hermetically sealed within copper cannister
- The body is made of high quality bronze with baked powder external surface treatment
- Minimal moving parts – less maintenance
- Maximum working temperature: 50°C
- Factory supplied pulse output as standard  
1 pulse = 10 Litres
- Supplied with couplings, washers and internal filter
- Install water meter horizontally with dial facing upwards
- 'Not intended for use for 'Trade'
- Not watermarked
- 12 Month Replacement Warranty



Ordering Information	
Code	Description
WWMJ-025-P10	25 mm Multi jet meter, 10L/pulse, MBSP
WMMJ-032-P10	32 mm Multi jet meter, 10L/pulse, MBSP
WMMJ-040-P10	40 mm Multi jet meter, 10L/pulse, MBSP
WMMJ-050-P10	32 mm Multi jet meter, 10L/pulse, MBSP

Specifications				
SIZE (mm)	25	32	40	50
Operation	Multi jet Inferential	Multi jet Inferential	Multi jet Inferential	Multi jet Inferential
Overload Flow m <sup>3</sup> /h (Q max)	7	12	20	30
Continuous Flow m <sup>3</sup> /h (Qn)	3.5	6	10	15
Transitional Flow l/h +/-2% (Qt)	280	480	800	3,000
Minimum Flow l/h +/-5% (Q min)	70	120	200	450
Minimum Reading (l)	0.005	0.05	0.05	0.05
Maximum Reading (m <sup>3</sup> )	99999.9999	99999.9999	99999.9999	99999.9999
Maximum Operating Pressure (MPa)	1.6	1.6	1.6	1.6
Litres / Pulse	10	10	10	10
Length (L) (mm)	260	260	300	300
Width (B) (mm)	94	94	138	138
Height (H) (mm)	121	126	170	170
Maximum Working Temperature (°C)	50	50	50	50