

Irrigation Water Meters

- 15mm to 40mm Single Jet, Multi-jet

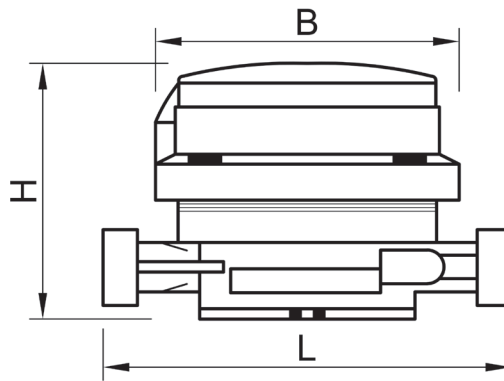
Application

For use in agricultural, commercial turf and landscaping irrigation systems where water usage totals are required. A factory fitted pulse output enables the water meter to be connected to a suitable irrigation controller to monitor flow rates and the controller to create flow alarms for valve and mainline failure.

Not suitable for Water Authority metering.

Features

- Highly reliable, long term meter accuracy
- Completely sealed dial – Stops moisture entering.
- The body is made of high quality brass with anti-corrosion baked powder external surface treatment
- Minimal moving parts – less maintenance
- Maximum working temperature: 50°C
- Factory fitted pulsed output standard
- Comes complete with couplings- threaded BSP
- 12 Month Replacement Warranty



Ordering Information

Code	Description
WMSJ-015-P10	15mm Single jet meter, 10L/pulse, MBSP
WMSJ-020-P10	20mm Single jet meter, 10L/pulse, MBSP
WMSJ-025-P10	25mm Single jet meter, 10L/pulse, MBSP
WMMJ-032-P10	32mm Multi jet meter, 10L/pulse, MBSP
WMMJ-040-P100	40mm Multi jet meter, 100L/pulse, MBSP

Specifications

SIZE (mm)	15	20	25	32	40
Operation	Single jet Inferential	Single jet Inferential	Single jet Inferential	Multi jet Inferential	Multi jet Inferential
Overload Flow m ³ /h (Q max)	3	5	7	12	20
Permanent Flow m ³ /h (Qn)	1.5	2.5	3.5	6	10
Transitional Flow l/h +/-2% (Qt)	120	200	280	480	800
Minimum Flow l/h +/-5% (Q min)	30	50	70	120	200
Minimum Reading (l)	0.05	0.05	0.05	0.05	0.05
Maximum Reading (m ³)	99999.9999	99999.9999	99999.9999	99999.9999	99999.9999
Maximum Operating Pressure (MPa)	1.6	1.6	1.6	1.6	1.6
Litres / Pulse	10	10	10	100	100
Length (L) (mm)	110	130	160	260	300
Width (B) (mm)	81	81	81	94	138
Height (H) (mm)	86	86	93	126	170
Weight (kg)	1	1.2	1.5	2.5	4.5
Meter standard	Metrological class B to ISO 4064				