

Toro 300 Series Stream Rotor® Sprinklers

4.6-9.2m Radius

Toro Multi-stream rotors are well known for their visually appealing, multi-stream distribution of water. For medium-to-large lawn and shrub areas, in residential and light commercial applications.

Key Features

- Multiple rotating stream pattern allows water to soak into tight soils and slopes reducing risk of runoff
- True matched precipitation rate nozzles and arc discs
- Choice of six nozzles and-nine interchangeable arc discs
- Planetary, water-lubricated, gear-drive design for longer-life
- Large basket filter screen
- Durable engineering plastic and stainless-steel construction

Additional Features

- Lawn and 300mm Pop-up
- Stainless-steel retraction spring
- Wiper seal
- Small surface diameter
- At-grade installation
- 300mm body has bottom and side inlets
- Locking cap available

Specifications

- Recommended operating pressure: 240-350 kPa
- Maximum operating pressure: 520 kPa
- Flow rate: 2-28.5 Lpm
- Fixed-radius models: 5-9.2m
- Omni adjustable radius models: 4.6-9.2m
- Trajectory: 27°

Lawn Pop-up

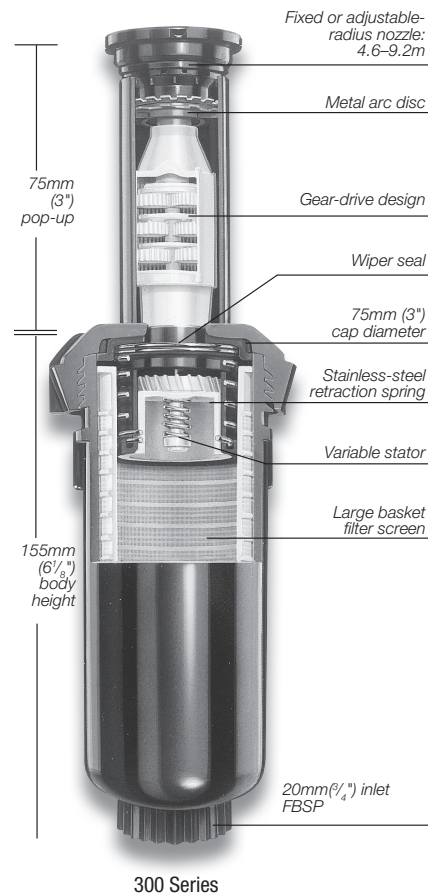
- Pop-up to nozzle: 70mm
- 20mm (3/4") FBSP inlet
- Dimensions:
 - Body diameter: 59mm
 - Cap diameter: 75mm
 - Height: 157mm

Shrub

- 20mm (3/4") FBSP inlets
- Dimensions:
 - Base diameter: 50mm
 - Height: 150mm
- Check valve maintains up to 2.4m elevation change

High-pop

- Pop-up to nozzle: 290mm
- 20mm (3/4") FBSP bottom and side inlets
- Side inlet: 180mm from top of sprinkler to centre of side inlet
- Dimensions:
 - Body diameter: 59mm
 - Cap diameter: 75mm
 - Height: 405mm



MultiStream (300 Series) Ordering Information	
Lawn Pop-Up	
300-00-00	75mm Pop-Up Body Only, without Nozzle and Arc Disc, 20mm FBSP Inlet
89-7853	Lilac Cap 300 Series Pop-Up
Shrub	
300-10-00	Shrub Rotor Body Only, without Nozzle and Arc Disc, 20mm FBSP Inlet
300mm (12") Pop-UP	
300-12-00	300mm Pop-Up Body Only, without Nozzle and Arc Disc, 20mm FBSP Inlet
89-7854	Lilac Cap 300 Series High-Pop

