



EINZELTEIL-LISTEN

RB 02/2017-5

gültig ab / valid from 01.01.2017

SPARE PART LISTS

**Versenkregnerprogramm
Pop-up sprinkler**

**HYDRA-XS
HYDRA-S**

**Regnerbau Calw GmbH
Industriestrasse 19-29
D- 75382 Althengstett**

Telefon: +49(0)7051 / /162 0
Telefax: +49(0)7051 / 162 133
E-Mail: perrot@perrot.de
Internet: www.perrot.de

HYDRA-XS H / WH + HYDRA-S H / WH / WDH Einsatz / Insert


RT 14 365
Wende / Part Circle

RT 14 393
Kreis / Full Circle

RT 14 441
Stopfen / Plug

Düse / Nozzle  

RT 14 440
Düse / Nozzle

ZK 93780 


RB 14 401
Wende / Part Circle


RB 14 400
Kreis / Full Circle

ZK 24 119

Montage-Werkzeug
Assembling Tool

ZB 98276
für Düsenwechsel/
for changing nozzle

 RT 14 449
nur für Hydra-XS H
4mm Düse Inaturl
only for Hydra-XS H
4mm Nozzle Inaturel



RT 14 317 
Ischwarz / blackl


RB 14 403



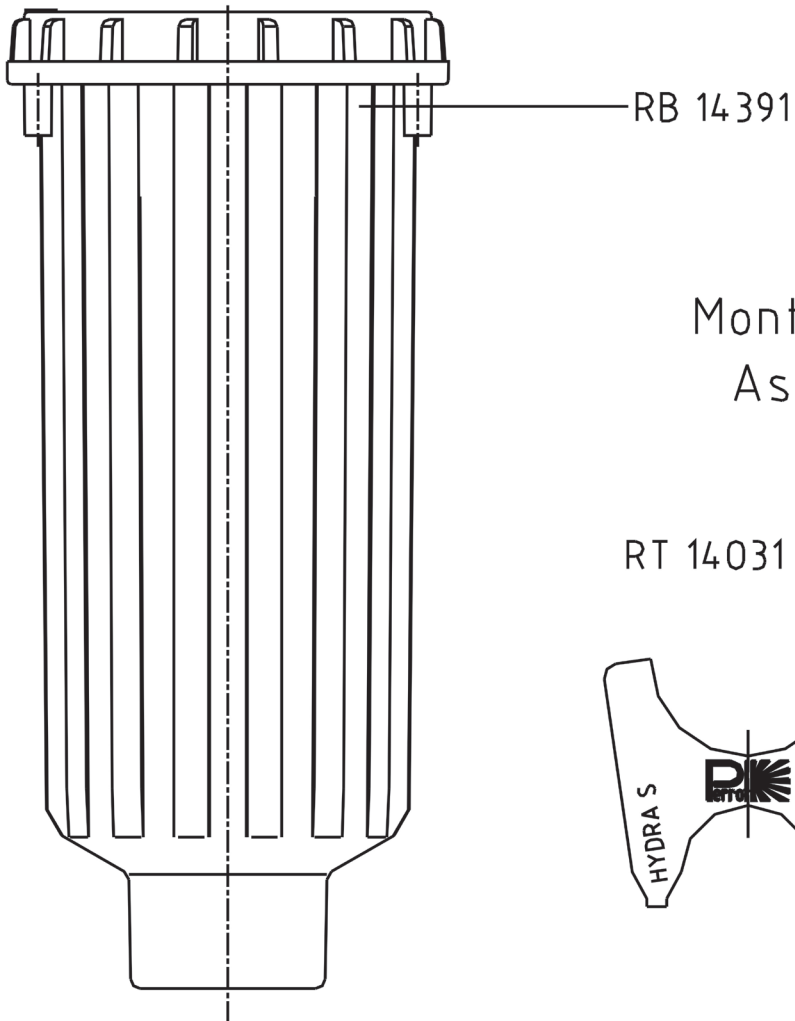
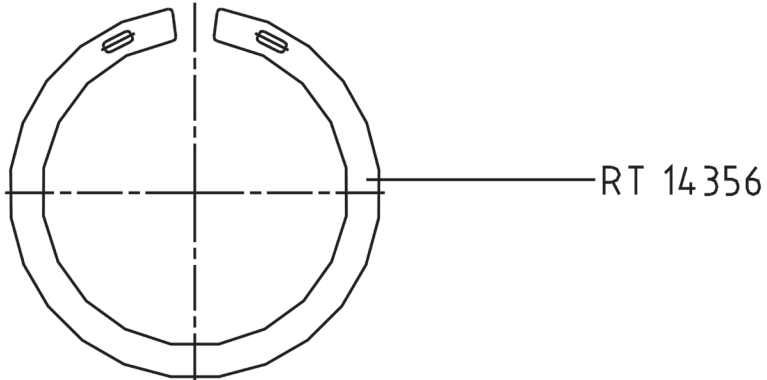
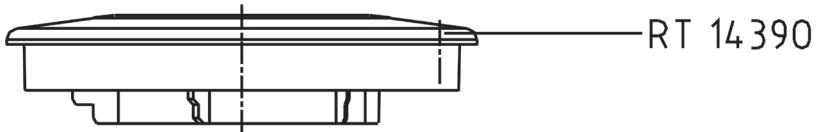
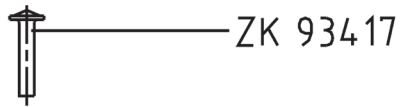
Hydra-S H Kreis-Einsatz/ Full Circle Insert	Hydra-S WH Wende-Einsatz / Part Circle Insert	Hydra-S WDH Wende-Einsatz / Part Circle Insert
RB 14 585 9,0mm	RB 14 595 9,0mm	RB 14 625 9,0mm
RB 14 584 8,0mm	RB 14 594 8,0mm	RB 14 624 8,0mm
RB 14 583 7,0mm	RB 14 593 7,0mm	RB 14 623 7,0mm
RB 14 582 6,0mm	RB 14 592 6,0mm	RB 14 622 6,0mm
RB 14 581 5,0mm	RB 14 591 5,0mm	RB 14 621 5,0mm
RB 14 580 4,0mm	RB 14 590 4,0mm	RB 14 620 4,0mm

Hydra-XS H Kreis-Einsatz/ Full Circle Insert	Hydra-XS WH Wende-Einsatz / Part Circle Insert
RB 14 652 6,0mm	RB 14 657 6,0mm
RB 14 651 5,0mm	RB 14 656 5,0mm
RB 14 650 4,0mm	RB 14 655 4,0mm

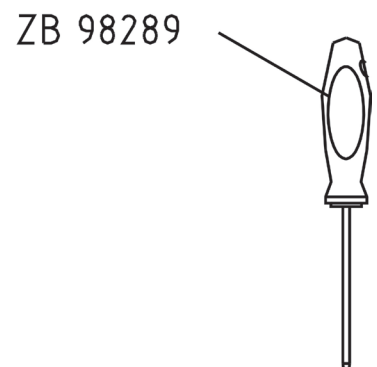
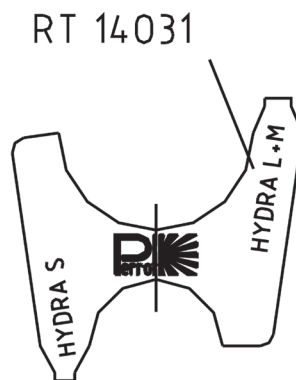
 Düse / Nozzle Hydra- XS bestehend aus / kit consisting of 	
ø6,0 mm	RB 14 671
ø5,0 mm	RB 14 670
ø4,0 mm	RB 14 669

 Düse / Nozzle	
Hydra- S H/WH/WDH	
ø9,0 mm	RB 14 666
ø8,0 mm	RB 14 665
ø7,0 mm	RB 14 664
ø6,0 mm	RB 14 663
ø5,0 mm	RB 14 662
ø4,0 mm	RB 14 661

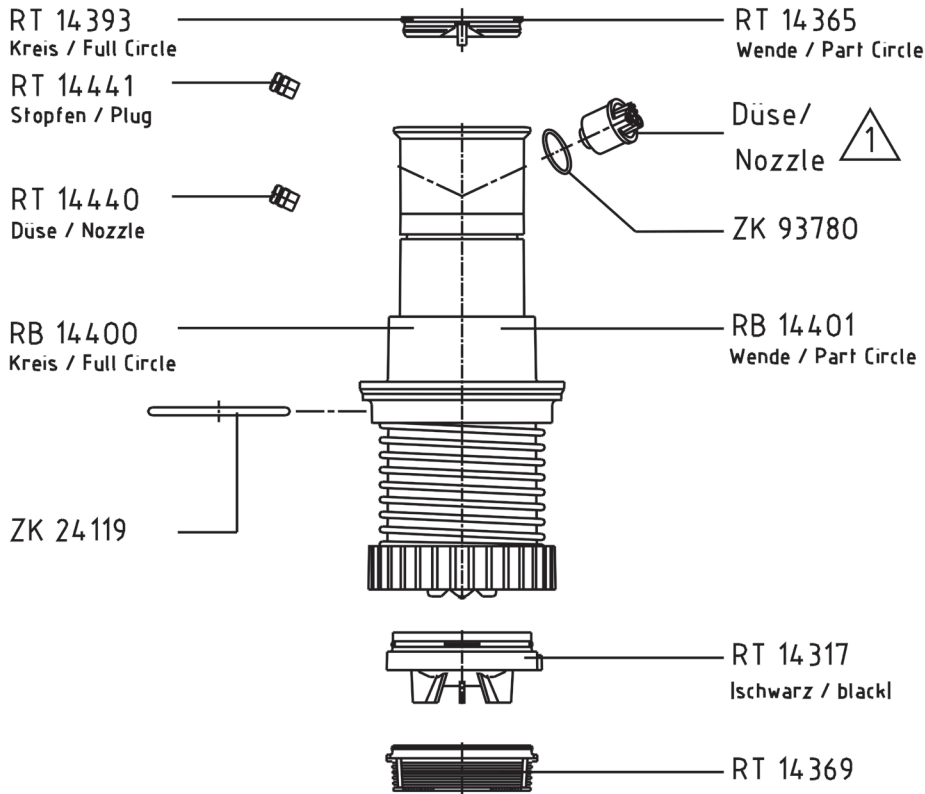
HYDRA-XS + HYDRA-S H / WH Gehäuse, Unterbau / Cover



Montage-Werkzeug
Assembling Tool



HYDRA-S VAC / WVAC / WDVAC Einsatz / Insert



Montage-Werkzeug
Assembling Tool

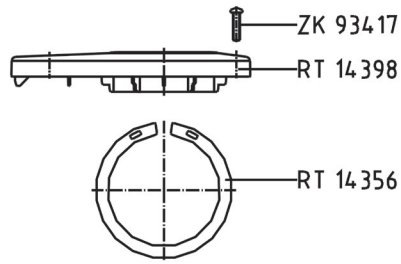
ZB 98276
für Düsenwechsel/
for change Nozzle



Hydra-S VAC Kreis-Einsatz/ Full Circle Insert	Hydra-S WVAC Wende-Einsatz / Part Circle Insert	Hydra-S WDVAC Wende-Einsatz / Part Circle Insert
RB 14605 9,0mm	RB 14615 9,0mm	RB 14635 9,0mm
RB 14604 8,0mm	RB 14614 8,0mm	RB 14634 8,0mm
RB 14603 7,0mm	RB 14613 7,0mm	RB 14633 7,0mm
RB 14602 6,0mm	RB 14612 6,0mm	RB 14632 6,0mm
RB 14601 5,0mm	RB 14611 5,0mm	RB 14631 5,0mm
RB 14600 4,0mm	RB 14610 4,0mm	RB 14630 4,0mm

1 Düse / Nozzle	
ø9,0 mm	RB 14666
ø8,0 mm	RB 14665
ø7,0 mm	RB 14664
ø6,0 mm	RB 14663
ø5,0 mm	RB 14662
ø4,0 mm	RB 14661

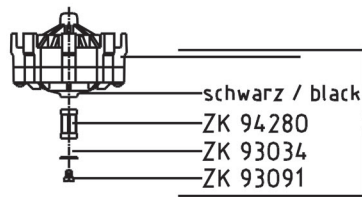
HYDRA-S VAC / WVAC / WDVAC Gehäuse, Unterbau / Cover



- RB 16719
- RB 16729
- RB 16784
- RT 14351
- ZK 94212

RB 14399

RT 14381



RT 14375 |weiß / white|
RT 14379 |blau / blue|

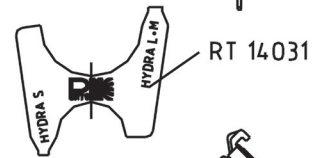
ZK 93709
ZK 93272

Montage-Werkzeug
Assembling Tool

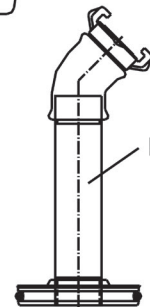
RT 17844
Ventil / Valve



ZB 98289



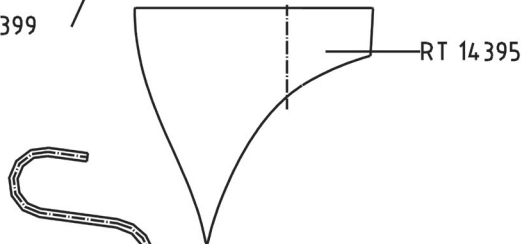
RT 14031



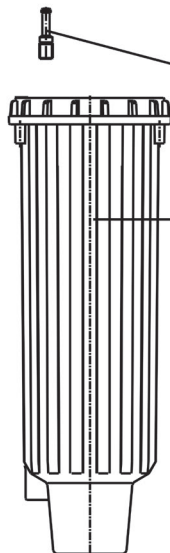
RT 14934

RB 14420

RT 14428



RT 14395



RB 14421

RB 14350

ZK 94212

RT 17839



RT 14930

Preisliste / Price List

Art-Nr.	Artikelbeschreibung	Artikelbeschreibung	
RB14350	HYDRA-S F-GEHÄUSE M. SCHRAUBE	HYDRA-S GUIDE HOUSING W. SCREW	
RB14391	HYDRA-S H 1" FÜHRUNGSGEHÄUSE	HYDRA-S H GUIDE HOUSING	
RB14399	HYDRA-S DRUCKREGELVENTIL	HYDRA-S PRESSURE REGULATING	
RB14400	HYDRA-S GRUNDEINSATZ KREIS	HYDRA-S INSERT FULL CIRCLE	
RB14401	HYDRA-S GRUNDEINSATZ WENDE	HYDRA-S INSERT PART CIRCLE	
RB14402	HYDRA-S VENTILEINSATZ	HYDRA-S VALVE INSERT HYDRA-S	
RB14403	STOPPVENTIL HYDRA-S H	HYDRA-S STOP VALVE	
RB14420	HYDRA-S VAC UNTERBAU	HYDRA-S VAC VALVE HOUSING ASSY	
RB14421	HYDRA-S ANSCHLUßSCHRAUBE KPL.	HYDRA-S CONNECTING BOLT ASSY.	
RB14580	HYDRA-S H 4,0MM/EINSATZ	HYDRA-S H 4,0MM/INSERT	
RB14581	HYDRA-S H 5,0MM/EINSATZ	HYDRA-S H 5,0MM/INSERT	
RB14582	HYDRA-S H 6,0MM/EINSATZ	HYDRA-S H 6,0MM/INSERT	
RB14583	HYDRA-S H 7,0MM/EINSATZ	HYDRA-S H 7,0MM/INSERT	
RB14584	HYDRA-S H 8,0MM/EINSATZ	HYDRA-S H 8,0MM/INSERT	
RB14585	HYDRA-S H 9,0MM/EINSATZ	HYDRA-S H 9,0MM/INSERT	
RB14590	HYDRA-S WH 4,0MM/EINSATZ	HYDRA-S WH 4,0MM/INSERT	
RB14591	HYDRA-S WH 5,0MM/EINSATZ	HYDRA-S WH 5,0MM/INSERT	
RB14592	HYDRA-S WH 6,0MM/EINSATZ	HYDRA-S WH 6,0MM/INSERT	
RB14593	HYDRA-S WH 7,0MM/EINSATZ	HYDRA-S WH 7,0MM/INSERT	
RB14594	HYDRA-S WH 8,0MM/EINSATZ	HYDRA-S WH 8,0MM/INSERT	
RB14595	HYDRA-S WH 9,0MM/EINSATZ	HYDRA-S WH 9,0MM/INSERT	
RB14600	HYDRA-S VAC 4,0MM/EINSATZ	HYDRA-S VAC 4,0MM/INSERT	
RB14601	HYDRA-S VAC 5,0MM/EINSATZ	HYDRA-S VAC 5,0MM/INSERT	
RB14602	HYDRA-S VAC 6,0MM/EINSATZ	HYDRA-S VAC 6,0MM/INSERT	
RB14603	HYDRA-S VAC 7,0MM/EINSATZ	HYDRA-S VAC 7,0MM/INSERT	
RB14604	HYDRA-S VAC 8,0MM/EINSATZ	HYDRA-S VAC 8,0MM/INSERT	
RB14605	HYDRA-S VAC 9,0MM/EINSATZ	HYDRA-S VAC 9,0MM/INSERT	
RB14610	HYDRA-S WVAC 4,0MM/EINSATZ	HYDRA-S WVAC 4,0MM/INSERT	
RB14611	HYDRA-S WVAC 5,0MM/EINSATZ	HYDRA-S WVAC 5,0MM/INSERT	
RB14612	HYDRA-S WVAC 6,0MM/EINSATZ	HYDRA-S WVAC 6,0MM/INSERT	
RB14613	HYDRA-S WVAC 7,0MM/EINSATZ	HYDRA-S WVAC 7,0MM/INSERT	
RB14614	HYDRA-S WVAC 8,0MM/EINSATZ	HYDRA-S WVAC 8,0MM/INSERT	
RB14615	HYDRA-S WVAC 9,0MM/EINSATZ	HYDRA-S WVAC 9,0MM/INSERT	
RB14620	HYDRA-S WDH 4,0MM/EINSATZ	HYDRA-S WDH 4,0MM/INSERT	
RB14621	HYDRA-S WDH 5,0MM/EINSATZ	HYDRA-S WDH 5,0MM/INSERT	
RB14622	HYDRA-S WDH 6,0MM/EINSATZ	HYDRA-S WDH 6,0MM/INSERT	
RB14623	HYDRA-S WDH 7,0MM/EINSATZ	HYDRA-S WDH 7,0MM/INSERT	
RB14624	HYDRA-S WDH 8,0MM/EINSATZ	HYDRA-S WDH 8,0MM/INSERT	
RB14625	HYDRA-S WDH 9,0MM/EINSATZ	HYDRA-S WDH 9,0MM/INSERT	
RB14630	HYDRA-S WDVAC 4,0MM/EINSATZ	HYDRA-S WDVAC 4,0MM/INSERT	
RB14631	HYDRA-S WDVAC 5,0MM/EINSATZ	HYDRA-S WDVAC 5,0MM/INSERT	
RB14632	HYDRA-S WDVAC 6,0MM/EINSATZ	HYDRA-S WDVAC 6,0MM/INSERT	
RB14633	HYDRA-S WDVAC 7,0MM/EINSATZ	HYDRA-S WDVAC 7,0MM/INSERT	
RB14634	HYDRA-S WDVAC 8,0MM/EINSATZ	HYDRA-S WDVAC 8,0MM/INSERT	
RB14635	HYDRA-S WDVAC 9,0MM/EINSATZ	HYDRA-S WDVAC 9,0MM/INSERT	
RB14650	HYDRA-XS H 4,0MM/EINSATZ	HYDRA-XS H 4,0MM/INSERT	
RB14651	HYDRA-XS H 5,0MM/EINSATZ	HYDRA-XS H 5,0MM/INSERT	
RB14652	HYDRA-XS H 6,0MM/EINSATZ	HYDRA-XS H 6,0MM/INSERT	
RB14655	HYDRA-XS WH 4,0MM/EINSATZ	HYDRA-XS WH 4,0MM/INSERT	
RB14656	HYDRA-XS WH 5,0MM/EINSATZ	HYDRA-XS WH 5,0MM/INSERT	
RB14657	HYDRA-XS WH 6,0MM/EINSATZ	HYDRA-XS WH 6,0MM/INSERT	
RB14661	DÜSE HYDRA-XS/S 4,0 MM	NOZZLE HYDRA-XS/S 4,0 MM	
RB14662	DÜSE HYDRA-XS/S 5,0 MM	NOZZLE HYDRA-XS/S 5,0 MM	
RB14663	DÜSE HYDRA-XS/S 6,0 MM	NOZZLE HYDRA-XS/S 6,0 MM	
RB14664	DÜSE HYDRA-XS/S 7,0 MM	NOZZLE HYDRA-XS/S 7,0 MM	
RB14665	DÜSE HYDRA-XS/S 8,0 MM	NOZZLE HYDRA-XS/S 8,0 MM	
RB14666	DÜSE HYDRA-XS/S 9,0 MM	NOZZLE HYDRA-XS/S 9,0 MM	

Preisliste / Price List

Art-Nr.	Artikelbeschreibung	Artikelbeschreibung	
RB14669	DÜSE HYDRA-XS 4,0 MM KOMPLETT	NOZZLE HYDRA-XS 4,0 MM COMPLETE	
RB14670	DÜSE HYDRA-XS 5,0 MM KOMPLETT	NOZZLE HYDRA-XS 5,0 MM COMPLETE	
RB14671	DÜSE HYDRA-XS 6,0 MM KOMPLETT	NOZZLE HYDRA-XS 6,0 MM COMPLETE	
RB16719	DRUCKREGLER	PRESSURE REGULATOR ASSY FOR	
RB16729	HANDSTEUERUNG MONT.	MANUELL CONTROL SCREW	
RB16784	LVZE 22 MAGNETSPULE AC	LVZE 22 SOLENOID ASSY AC	
RT14031	SICHERUNGSHALTER / REGNERKOPF	RETAINER / SPRINKLER HEAD	
RT14317	EINLAUFDÜSE/HYDRA-S	INLET NIYYLE HYDRA-S	
RT14351	HALTEPLATTE/DRUCKREGL. HYDRA-S	RETAINING PLATE HYDRA-S	
RT14356	SICHER.RING AUFSTEIGER HYDRA-S	RETAINING RING FOR RISER	
RT14365	HYDRA-S REG.KOPFDECKEL W	HYDRA-S-W COVER SPRINKLER HEAD	
RT14369	SIEB Z. AUFSTEIGER/HYDRA-S	STRAINER SPRINKLER INSERT	
RT14375	GROBFILTER WEISS / HYDRA-S VENTILS	COARSE FILTER WHITE HYDRA-S	
RT14379	GROBFILTER BLAU / HYDRA-S VENTILS	COARSE FILTER BLUE HYDRA-S	
RT14381	SICHERUNGSRING VENTIL HYDRA-S	RETAINING RING	
RT14390	HYDRA-S H GEHÄUSEDECKEL	HYDRA-S H HOUSING COVER	
RT14393	HYDRA-S REG.KOPFDECKEL K	HYDRA-S-K COVER SPRINKLER HEAD	
RT14395	SCHUTZGEHÄUSE/HYDRA-S	PROTECTION HOUSING HYDRA-S	
RT14398	HYDRA-S V GEHÄUSEDECKEL	COVER FOR PROT.HOUSING HYDRA-S	
RT14428	PA FORMROHR LANG / HYDRA-S	PA PIPE LONG / HYDRA-S	
RT14440	A-DÜSE HYDRA-S 4,2 MM	A-NOZZLE HYDRA-S 4,2 MM	
RT14441	STOPFEN/AUSGLEICHSDÜSE HYDRA-S	PLUG A-NOZZLE HYDRA-S	
RT14449	EINLAUFDÜSE/HYDRA-XS 4MM-DÜSE	INLET NOZZLE / HYDRA-XS 4MM-DÜSE	
RT14930	HYDRA-M/S SCHLÜSSEL/GROBFILTER	HYDRA-M/S KEY COARSE FILTER	
RT14934	HYDRA M/S SPÜLEINSATZ	HYDRA-M/S FLUSHING EQUIPMENT	
RT17839	AUSBAUHAKEN-SICHER. LVZR 22-3V	HOOK LVZR 22-3V	
RT17844	ZANGE-SICHERUNGSRING LVZR22-3V	LVZR 22-2V SNAP RING TOOL	
ZB98276	SICHERUNGSRINGZANGE	COLLET RETAINING RING	
ZB98289	SCHRAUBENDREHER TORX 20IP	TORX KEY 20 IP	
ZK24119	O-RING D=72,39x5,33	O-RING DIA =72,39x5,33	
ZK93034	MS-SCHEIBE A 4,3	PLAIN WASHERS 4,3	
ZK93091	M 4x5 LINSENSCHRAUBE	M 4x5 OVAL HEAD SCREW	
ZK93272	3,5x30 REKU LINSKOPFSCHRAUBE	3,5x30 REKU OVAL HAED SCREW	
ZK93417	40x20 EJOT DELTA PT-SCHRAUBE TORX	40x20 EJOT DELTA PT-SCREW TORX	
ZK93709	O-RING D=44x3,0 MM	O-RING D=44x3,0 MM	
ZK93780	O-RING D=17x1,5 MM	O-RING D=17x1,5 MM	
ZK94212	WINKELSCHRAUBANSCHLUSS	ELBOW CONNECTION	
ZK94280	LVZR 22-2VE ROHRSIEB	FILTER INSERT	

Notizen / Notes



UNSER LIEFERPROGRAMM

OUR SALES PROGRAM

Regner	für die Landwirtschaft, Forstwirtschaft, Gartenbau, Baumschulen und Sportanlagen.
Vesenk-regner	für Sportplätze, Golfanlagen, Tennisplätze, Reitanlagen und Pferderennbahnen, öffentliches Grün und Hausgärten
Kardan-Kupplungen	für Rohre und Formteile aus Stahl verzinkt und Edelstahl (Material 1.4404)
Umweltschutz	Beregnungssysteme für die Staubbindung auf Schüttguthalden, Umschlagplätzen, Recyclingplätzen und Verkehrsflächen. Bedüsungsanlagen für die Staubbindung auf Förderbänder und Reclaimer und Schiffsentlader Entsorgung von Enteiserabwässer mittels Verregnung

Sprinklers	for agriculture, horticulture, forestry, tree nurseries and sports fields
Pop-up sprinklers	for sports fields, golf courses, tennis courts, horse race tracks, riding facilities, public greens and private gardens
Cardan Couplings	for pipes and fittings made of galvanized steel and stainless steel (material 1.4404)
Environmental protection	Irrigation systems for dust suppression on stock piles, recycling yards, bulk handling and traffic circulation areas. Spraying systems for dust suppression on conveyor beltsand, Stacker and reclaimer Disposal of de-icing effluents by irrigation